

Series 2050 Garden Window  
**Important Information for  
New Construction Installations**

---

**Attention Installer!**

**We urge you to read and follow the attached installation instructions.**

**Failure to do so may void the warranty of this garden window unit.**

**Attention Homeowner!**

1. *All interior wood components must be properly sealed. Do not use water-based compounds!*  
*Stain:* Use an oil-based exterior stain followed by an oil-based polyurethane finish coat.  
*Paint:* Use an oil-based exterior primer followed by an oil-based exterior finish coat.
2. If unit includes optional glass shelf, **do not exceed weight limit of 8 pounds per square foot on the shelf!**
3. Follow installation instructions for optional components.
4. **Do not overload the unit!**

# Series 2050 Garden Window

## Important Information for New Construction Installations

---

### Flashing and Installation

1. For new construction, we recommend that the three accessory vinyl flash flanges provided with the unit be used in conjunction with other flashing material to help drain water away from the window opening.

Three types of flashing material are available: flexible, self-adhesive flexible and rigid.

2. Apply sill flashing material prior to window installation. Extend the ends beyond the perimeter of the opening.
3. Caulk behind the vinyl head flange and slip the garden window unit into the opening.
4. Align the interior window jamb with the interior wall; drill and countersink the jamb, head board and seat board; install the #8x3" screws provided. Finish by installing the wood plugs (see drawing).
5. The jamb flashing can be applied in a number of ways, depending on the type of flashing material being used. Rigid flashing can be applied before caulking and screwing in the vinyl flash flanges; flexible can be applied afterwards. Overlap the sill flashing with the jamb flashing and extend above window opening.
6. Cut the three exterior flash flange pieces to length, Caulk around the perimeter of the unit and wall. Attach vinyl flash flanges by screwing or nailing into the wall, keeping the flange tight against the window.
7. Install head flashing material last: it should overlap and extend slightly beyond the jamb flashing material, creating a "shingled" effect.
8. Finish exterior wall treatment.

### Installation of Optional Components

#### Vinyl Trim and Insulation Board

We recommend the attachment of the vinyl trim and insulation board after the garden window has been installed.

1. The projection of the garden window is a standard projection size of 17". The insulation board is cut to 18-3/8". Sill length and other factors could affect proper sizing. Be sure to take this measurement into account before cutting the board and vinyl trim to size.
2. Install vinyl trim onto the insulation board with the vinyl face of the board facing the exterior.
3. Put a bead of caulk around the perimeter of the vinyl flange face which will mate against the bottom of the seat board face.
4. Install weather-resistant screws up through the vinyl trim, insulation board and into the bottom of the seat board.  
**Warning! Screws should not exceed 1-1/2" long! Do not overtighten!**
5. Position screws near four corners. (On larger units, additional screws should be used between the corners.)
6. Caulk gap between seat board trim and insulation board trim. Caulk along insulation board where it meets sill area of window.

#### Shelving Standards and Brackets

Units up to 42" wide have two standards; units 42" up to 49" wide have three standards; units 49" up to 72" wide have four standards in the kit.

1. On units with two standards, place each standard (vertical track) 1/8" in from the inside corner of the vinyl frame with the bottom edge of the standard setting on the step of the vinyl frame.  
Larger units require additional standards, spaced equally between the end standards, **attached top and bottom only!** Place each standard with the notched portion down, setting on the step of the vinyl frame.  
On all units, there are four black rubber blocks (2 on both sides) placed in both corners of the inside of the unit. Use these to ensure the 1/8" dimension for the vertical track location. Remove the rubber blocks with pliers once the vertical tracks have been fastened.
2. Mark hole locations with a pencil.
3. Drill pilot holes through the first wall only.
4. Position vertical standard and attach using 1-1/2" screws.  
**Do not overtighten screws!**

Series 2050 Garden Window  
**Typical Installation Details: New Construction**

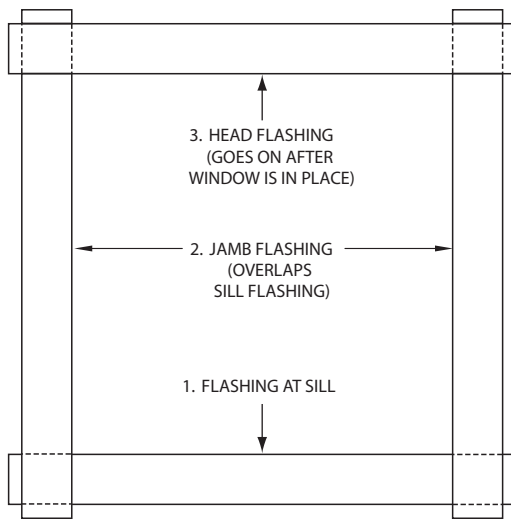
**Installer Warning!**

All units that exceed 72" wide or 60" high require knee brace support, because the unit exceeds standard size limitations for width or height.

**Flashing Diagram**

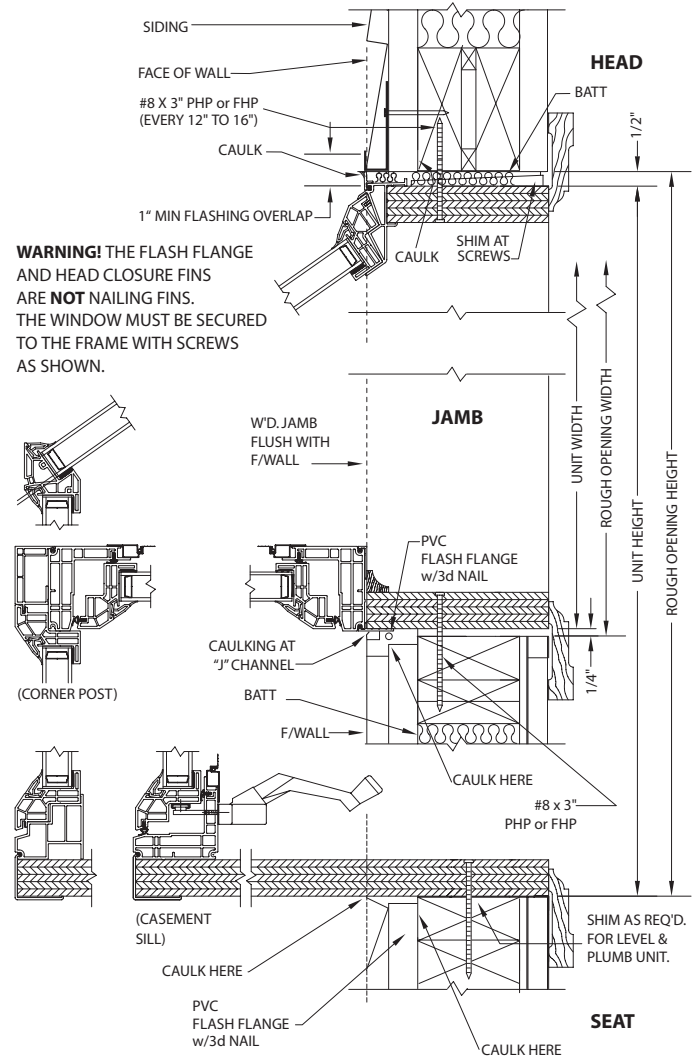
Use this sequence for flashing:

1. Sill
2. Jambs
3. Head



NOTE: The flashings go BENEATH the sheathing. The caulked flash flanges of the window go against the jamb and sill flashings.

**Frame Construction with Siding**



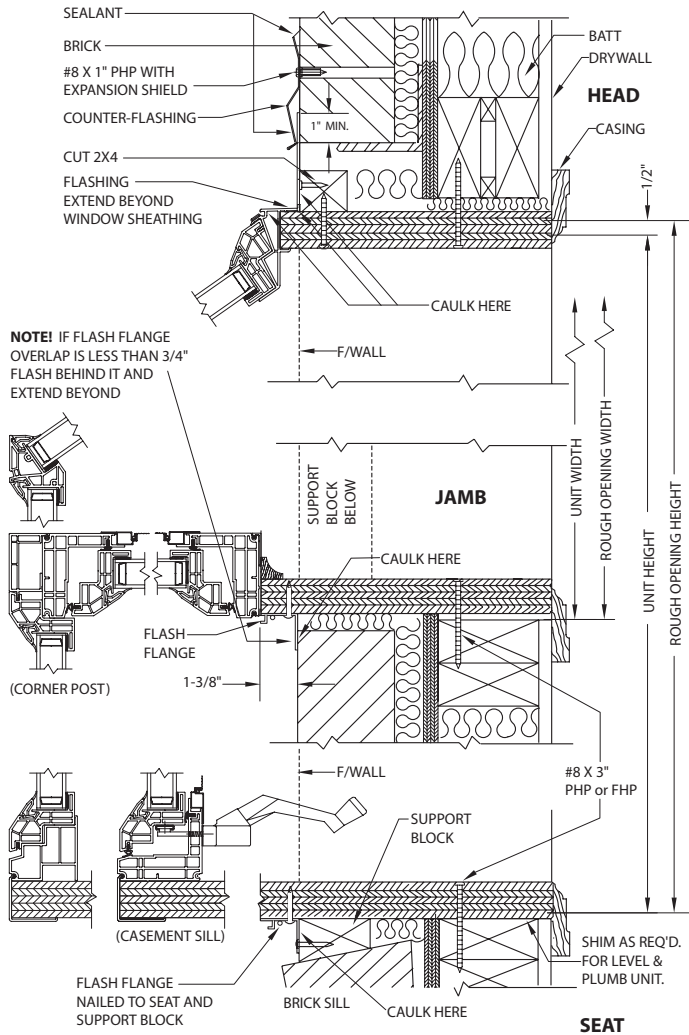
**WARNING!** THE FLASH FLANGE AND HEAD CLOSURE FINNS ARE **NOT** NAILING FINNS. THE WINDOW MUST BE SECURED TO THE FRAME WITH SCREWS AS SHOWN.

Series 2050 Garden Window  
**Typical Installation Details: New Construction**

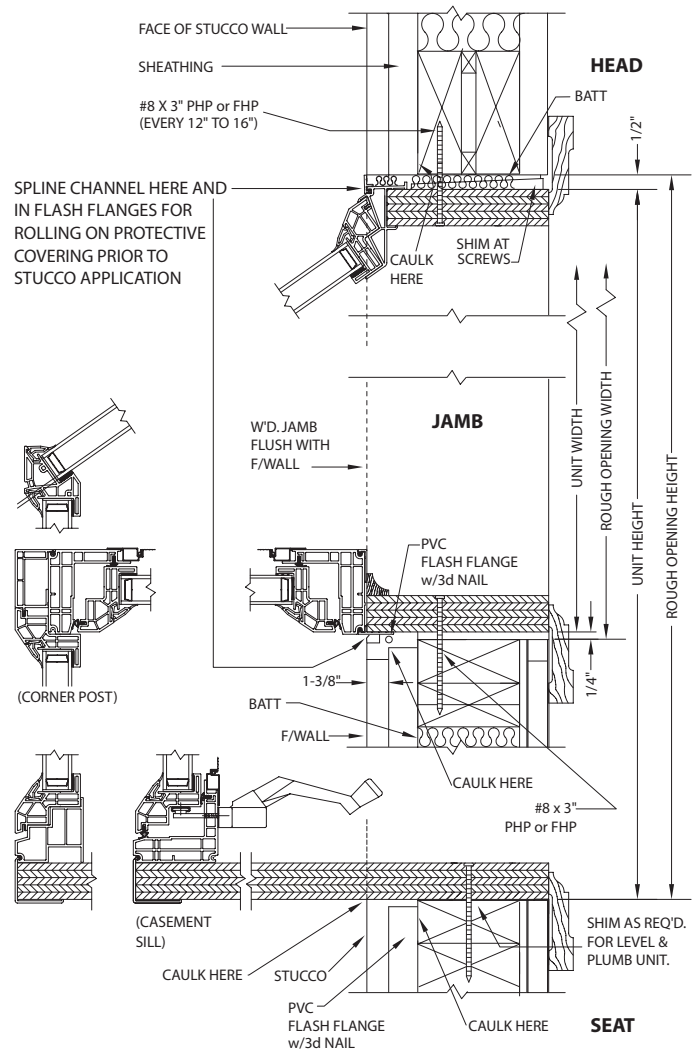
**Installer Warning!**

All units that exceed 72" wide or 60" high require knee brace support, because the unit exceeds standard size limitations for width or height.

**Frame Construction with Brick Veneer**



**Frame Construction with Stucco**



Series 2050 Garden Window  
**Important Information for  
Retrofit Installations**

---

**Attention Installer!**

**We urge you to read and follow the attached installation instructions.**

**Failure to do so may void the warranty of this garden window unit.**

**Attention Homeowner!**

1. *All interior wood components must be properly sealed. Do not use water-based compounds!*

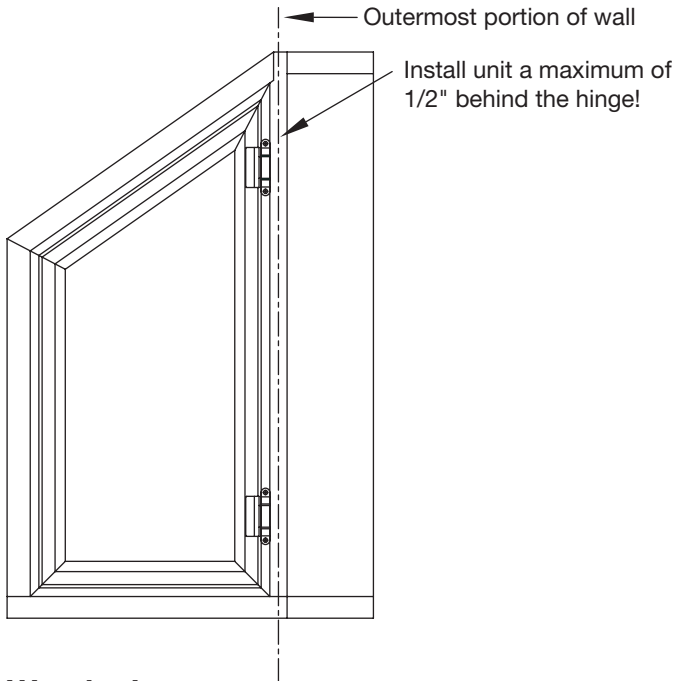
*Stain:* Use an oil-based exterior stain followed by an oil-based polyurethane finish coat.

*Paint:* Use an oil-based exterior primer followed by an oil-based exterior finish coat.

2. If unit includes optional glass shelf, **do not exceed weight limit of 8 pounds per square foot on the shelf!**
3. Follow installation instructions for optional components.
4. **Do not overload the unit!**

## Series 2050 Garden Window

# Important Installation Information for Retrofit Installations



### Warning!

**Under no circumstances should the distance from the back of the hinge to the exterior wall, J-channel, trim face or masonry face exceed 1/2".**

**This is the area where the wood meets the vinyl frame. LEAKAGE COULD OCCUR.**

If there has been an error in measuring, we highly recommend cutting the inside of the jambs, head and seat board to accommodate this dimension rather than "cheating" the window out to be flush with the interior wall surface.

### Cutting Interior Jamb, Head and Seat Board

1. Use new plywood blade with circular saw.
2. Mark cut lines on exterior of 1-1/4" plywood.  
Use a straight edge for saw guide to avoid "freehand cutting."
3. Use masking tape on inside of cut area to reduce splintering and chipping of the inside laminate.

### Installation of Optional Components

#### Vinyl Trim and Insulation Board

We recommend the attachment of the vinyl trim and insulation board after the garden window has been installed.

1. The projection of the garden window is a standard projection size of 17". The insulation board is cut to 18-3/8". Sill length and other factors could affect proper sizing. Be sure to take this measurement into account before cutting the board and vinyl trim to size.
2. Install vinyl trim onto the insulation board with the vinyl face of the board facing the exterior.
3. Put a bead of caulk around the perimeter of the vinyl flange face which will mate against the bottom of the seat board face.
4. Install weather-resistant screws up through the vinyl trim, insulation board and into the bottom of the seat board.

**Warning! Screws should not exceed 1-1/2" long! Do not overtighten!**

5. Position screws near four corners. (On larger units, additional screws should be used between the corners.)
6. Caulk gap between seat board trim and insulation board trim. Caulk along insulation board where it meets sill area of window.

#### Shelving Standards and Brackets

Units up to 42" wide have two standards; units 42" up to 49" wide have three standards; units 49" up to 72" wide have four standards in the kit.

1. On units with two standards, place each standard (vertical track) 1/8" in from the inside corner of the vinyl frame with the bottom edge of the standard setting on the step of the vinyl frame.

Larger units require additional standards, spaced equally between the end standards, **attached top and bottom only!** Place each standard with the notched portion down, setting on the step of the vinyl frame.

On all units, there are four black rubber blocks (2 on both sides) placed in both corners of the inside of the unit. Use these to ensure the 1/8" dimension for the vertical track location. Remove the rubber blocks with pliers once the vertical tracks have been fastened.

2. Mark hole locations with a pencil.
3. Drill pilot holes through the first wall only.
4. Position vertical standard and attach using 1-1/2" screws. **Do not overtighten screws!**

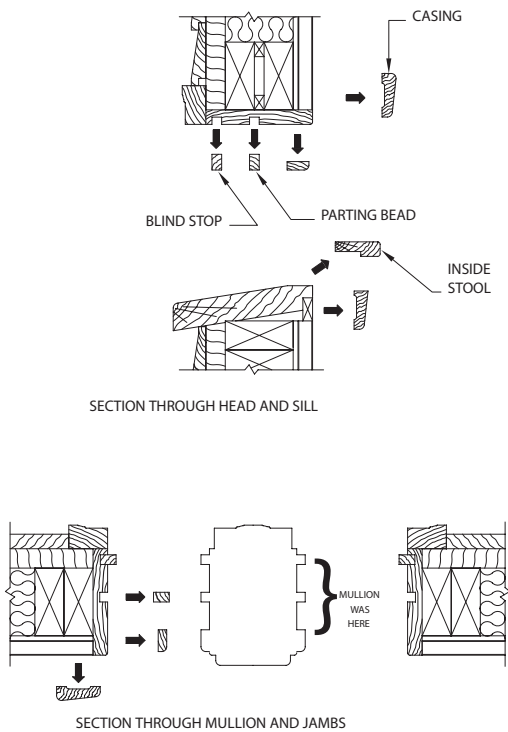
Series 2050 Garden Window  
**Typical Installation Details: Retrofit**

**Installer Warning!**

All units that exceed 72" wide or 60" high require knee brace support, because the unit exceeds standard size limitations for width or height.

**Removal of Old Prime Window Frame**

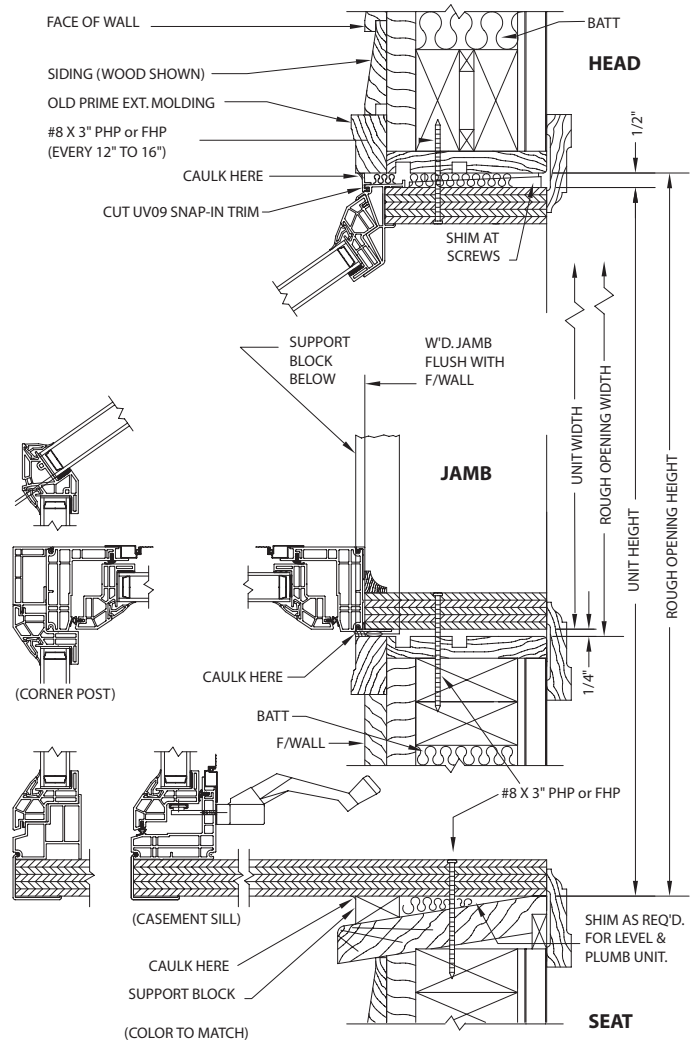
1. Remove inside trims, parting beads, and blind stops from the head.
2. Remove the inside stool and trim from the prime window sill.
3. Lightly fill batt insulation into the rough opening's open cavities.



4. Remove parting beads and trim from the jambs.
5. Remove the center mullion.

**IMPORTANT!** Since the mullion may be load-bearing, a lintel may have to be constructed or installed at top to prevent the wall above the opening from sagging.

**Frame Construction with Siding**

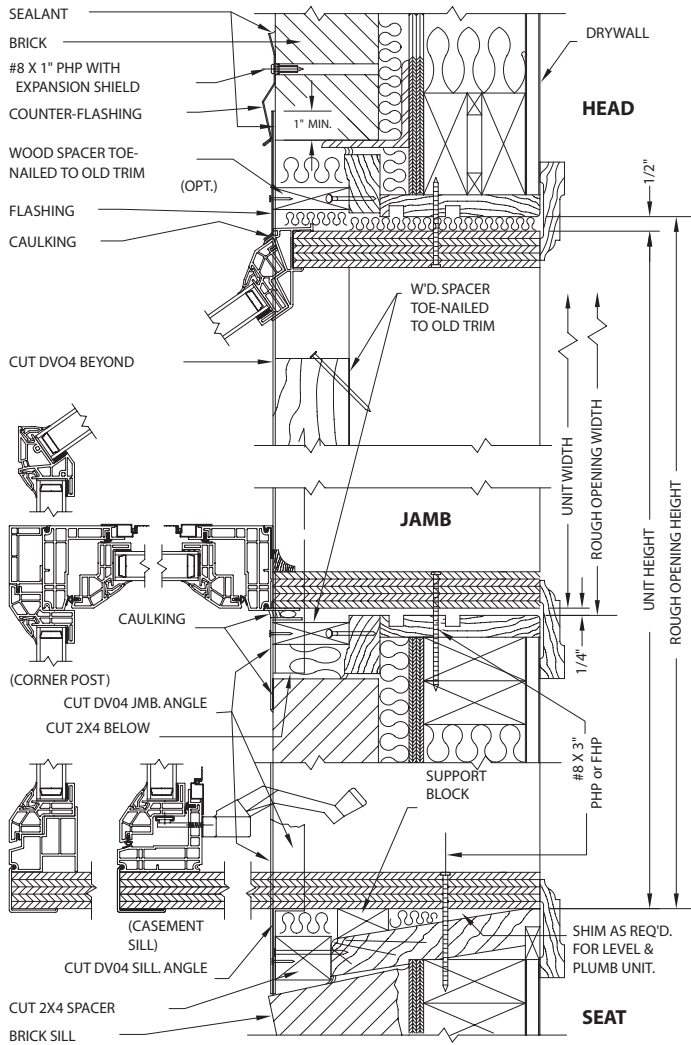


Series 2050 Garden Window  
**Typical Installation Details: Retrofit**

**Installer Warning!**

All units that exceed 72" wide or 60" high require knee brace support, because the unit exceeds standard size limitations for width or height.

**Frame Construction with Brick Veneer**



**All-Masonry Construction**

