



# 2030 Patio Door

## Healthy Windows & Doors for Life



☞ BEAUTIFULLY DESIGNED WITH YOU IN MIND ☞

*Every time you look through a vinyl sliding patio door the world comes to life.  
Our doors are uniquely designed to fit the way you live, blending advanced technology  
with innovative features that add beauty and value to your home.*



Optional antique brass, brass, silver, or brushed chrome handle with multi-point locking system.



Solid Brass



Brushed Chrome



Antique Silver



Antique Brass



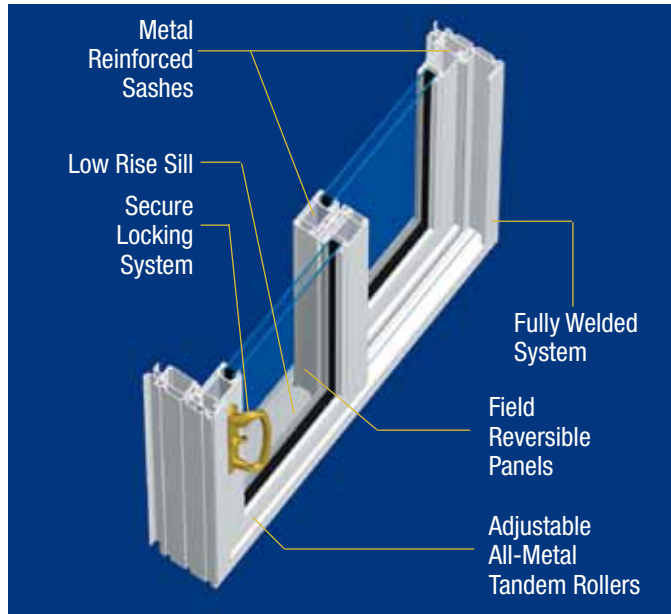
Satin Nickel



Optional foot lock limits travel of sliding door.

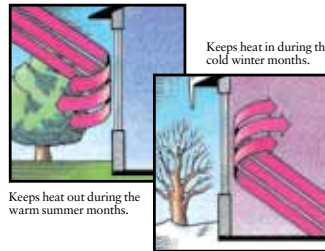


Heavy-duty roller provides smooth operation.



### SOFTCOAT LOW E<sup>2</sup> GLASS WITH ARGON "Standard"

Glass is an important component of all windows and doors. Low E is a microscopically thin, virtually invisible coating deposited on a glass surface. This coating limits radiant heat flow between window panes by reflecting heat into your home during cold weather and back to the outdoors during warm weather. More specific information is available in our glass brochure.



### LoE<sup>3</sup>-366 Glass "Optional"

Introducing LoE<sup>3</sup>-366 (pronounced low E cubed-366), the ultimate performance glass. It just might make all other low-e glass obsolete. LoE<sup>3</sup>-366 delivers the ideal balance of solar control and high visibility. And it provides the highest levels of year-round comfort and energy savings, making it the perfect glass no matter where you live. The secret? An unprecedented 3 layers of silver. For your next windows, go beyond ordinary low e-glass. Choose LoE<sup>3</sup>-366, the new standard.



Homeowners can spend less time washing windows and more time enjoying the view.

### FEEL SAFE AND SECURE

Our sliding patio door comes standard with a heavy-duty locking system that will make you feel safe and secure.

### EASY ROLLING

Adjustable all-metal tandem rollers on these doors open and close easily and quietly.



### HEAVY-DUTY SCREEN DOOR

Standard with our sliding patio door is a heavy-duty, extruded aluminum screen door with no-rust fiberglass mesh and adjustable rollers.

### YOUR CHOICE OF DESIGNS

Available in two-, three- and four-panel door designs. Transoms and side lites are also available.

### Energy Performance Ratings

Ratings by Glass Selection	U-Factor	Solar Heat Gain Coefficient	Visible Transmittance
272 Low - E	0.28	0.32	0.55
Tempered 366 Low - E - Neat	0.27	0.21	0.5
Tempered Triple 366/CLEAR/366	0.21	0.18	0.36