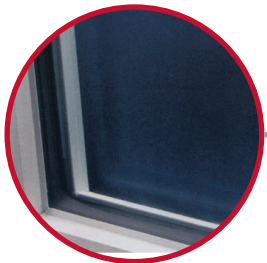


Super Spacer® Comparison

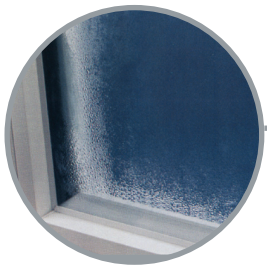


The Facts between Super Spacer® and Intercept®



NO-Metal Super Spacer®

Patented all-foam design dramatically reduces condensation, delivering the clearest picture in Warm Edge technology.



Windows made with Intercept®

Mid-performance spacer systems that still contain metal do little to improve condensation resistance.

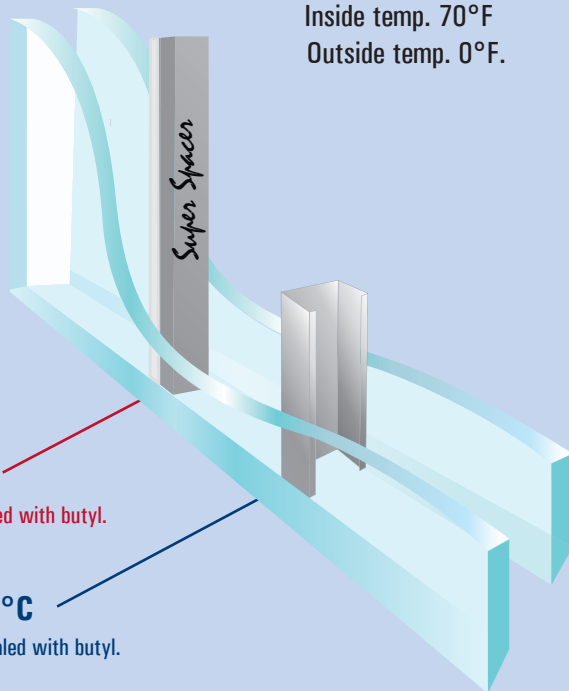
- “Super Spacer is the world’s leading 100% polymer foam, NO-Metal Spacing System.”
- Super Spacer is 950 times less conductive than aluminum spacers, 85 times less than stainless steel.
- Windows with Super Spacer result in improved energy savings and improved window performance.
- Windows with Super Spacer have dramatically more condensation resistance than windows with Intercept.

Super Spacer® Comparison Up to 70% better.

As much as + 18.5°F warmer temperature at the edge of the glass.
Inside temp. 70°F
Outside temp. 0°F.

Super Spacer® is a registered trademark of Edgetech I.G. Inc.
Intercept® is a registered trademark of PPG Industries Inc.

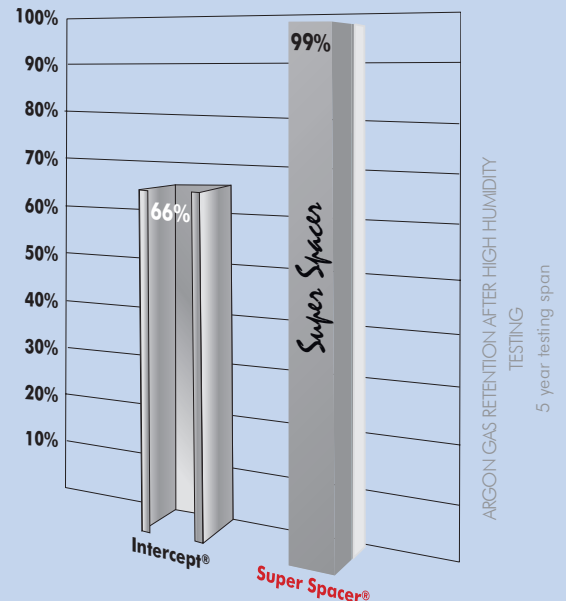
Simulations performed by Enermodal Engineering Ltd. using Window 5.2 and Therm 5.2 as per NFRC100-2001. Outside temperature 0° F, inside temperature 70° F. Low-e glass Cardinal Low-e² 272. Air spaces .500" wide, 90% argon fill. IGU's 24" x 48". The secondary butyl used with Intercept® was 0.035" thick.
[EIG906W/EB 11-08/EIG1009W]



43.0°F/6.1°C
Super Spacer® sealed with butyl.

31.6°F/0.2°C
Intercept® sealed with butyl.

ARGON GAS RETENTION with Super Spacer



An independent study, Determination of Argon Concentration and Assessment of the Durability of High-Performance Insulating Glass Units Filled with Argon Gas; by A.H. Elmahdy, Ph.D., P.Eng., found that Argon gas I.G. units made with Super Spacer® lost less than 1% in both Accelerated Weather Cycling and High Humidity tests.

Lindsay Windows uses Super Spacer to build superior products for your home!



Headquarters
1995 Commerce Lane
North Mankato, MN

www.LindsayWindows.com
11 Cedar Ct. in Union, MO (636) 583-0850
27735 W. Diehl Rd. in Warrenville, IL (630) 794-9079