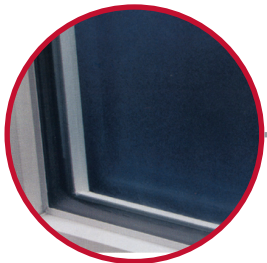


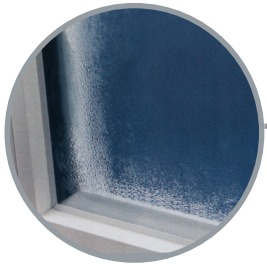
# Super Spacer® Comparison

## The Facts between Super Spacer® and Intercept®



### NO-Metal Super Spacer®

Patented all-foam design dramatically reduces condensation, delivering the clearest picture in Warm Edge technology.



### Windows made with Intercept®

Mid-performance spacer systems that still contain metal do little to improve condensation resistance.

- “Super Spacer is the world’s leading 100% polymer foam, NO-Metal Spacing System.”
- Super Spacer is 950 times less conductive than aluminum spacers, 85 times less than stainless steel.
- Windows with Super Spacer result in improved energy savings and improved window performance.
- Windows with Super Spacer have dramatically more condensation resistance than windows with Intercept.

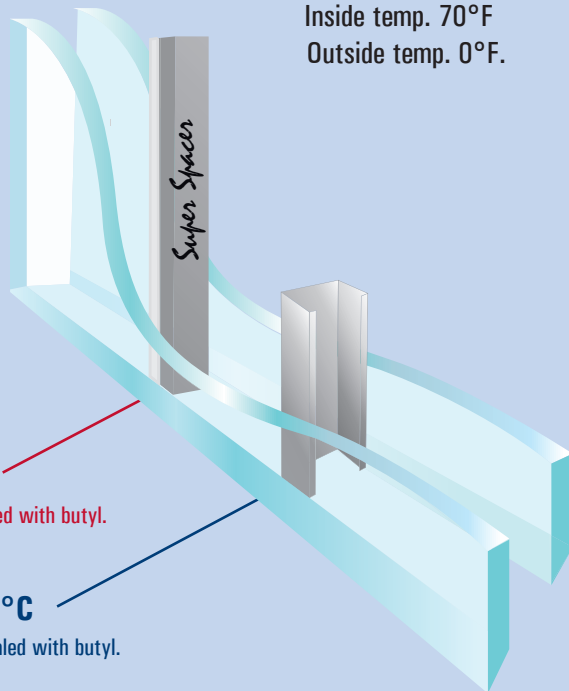
### Super Spacer® Comparison Up to 70% better.

As much as + 18.5°F warmer temperature at the edge of the glass.

Inside temp. 70°F  
Outside temp. 0°F.

Super Spacer® is a registered trademark of Edgetech I.G. Inc.  
Intercept® is a registered trademark of PPG Industries Inc.

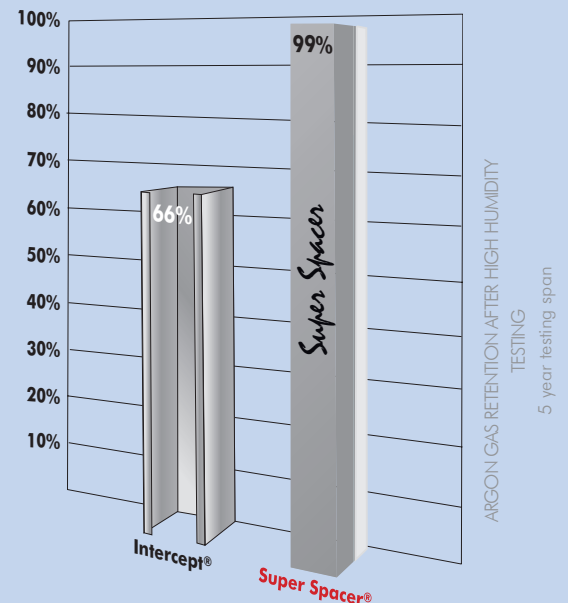
Simulations performed by Enermodal Engineering Ltd. using Window 5.2 and Therm 5.2 as per NFRC100-2001. Outside temperature 0° F, inside temperature 70° F. Low-e glass Cardinal Low-e² 272. Air spaces .500" wide, 90% argon fill. IGU's 24" x 48". The secondary butyl used with Intercept® was 0.035" thick.  
[EIG906W/EB 11-08/EIG1009W]



**43.0°F/6.1°C**  
Super Spacer® sealed with butyl.

**31.6°F/0.2°C**  
Intercept® sealed with butyl.

### ARGON GAS RETENTION with Super Spacer



An independent study, Determination of Argon Concentration and Assessment of the Durability of High-Performance Insulating Glass Units Filled with Argon Gas; by A.H. Elmahdy, Ph.D., P.Eng., found that Argon gas I.G. units made with Super Spacer® lost less than 1% in both Accelerated Weather Cycling and High Humidity tests.

**Lindsay Windows uses Super Spacer to build superior products for your home!**



**Headquarters**  
1995 Commerce Lane  
North Mankato, MN

[www.LindsayWindows.com](http://www.LindsayWindows.com)  
11 Cedar Ct. in Union, MO (636) 583-0850  
27735 W. Diehl Rd. in Warrenville, IL (630) 794-9079