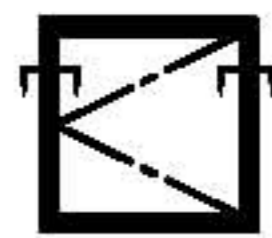
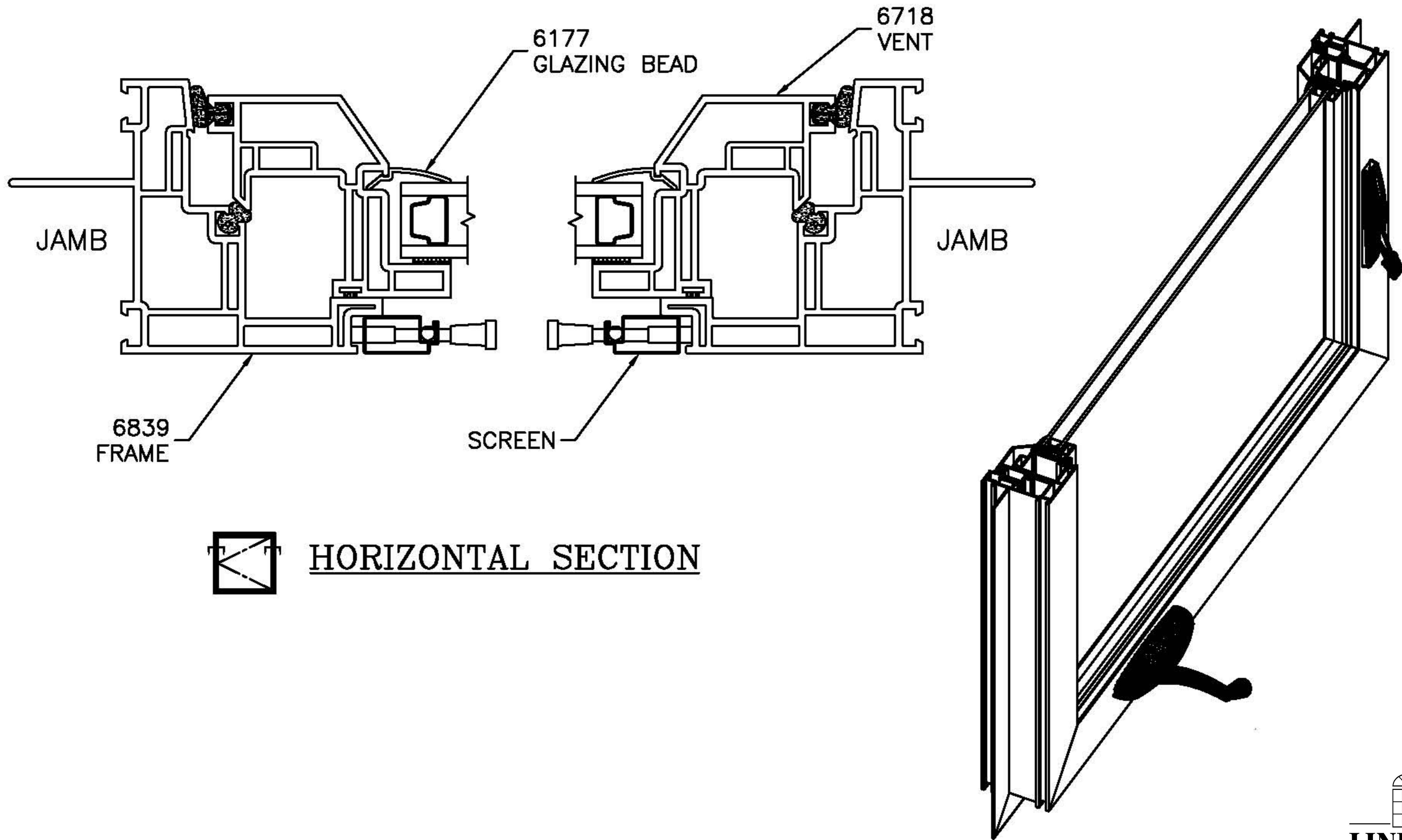


420 CASEMENT WINDOW

(X)

PAGE 1 OF 2

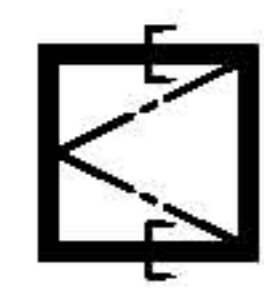
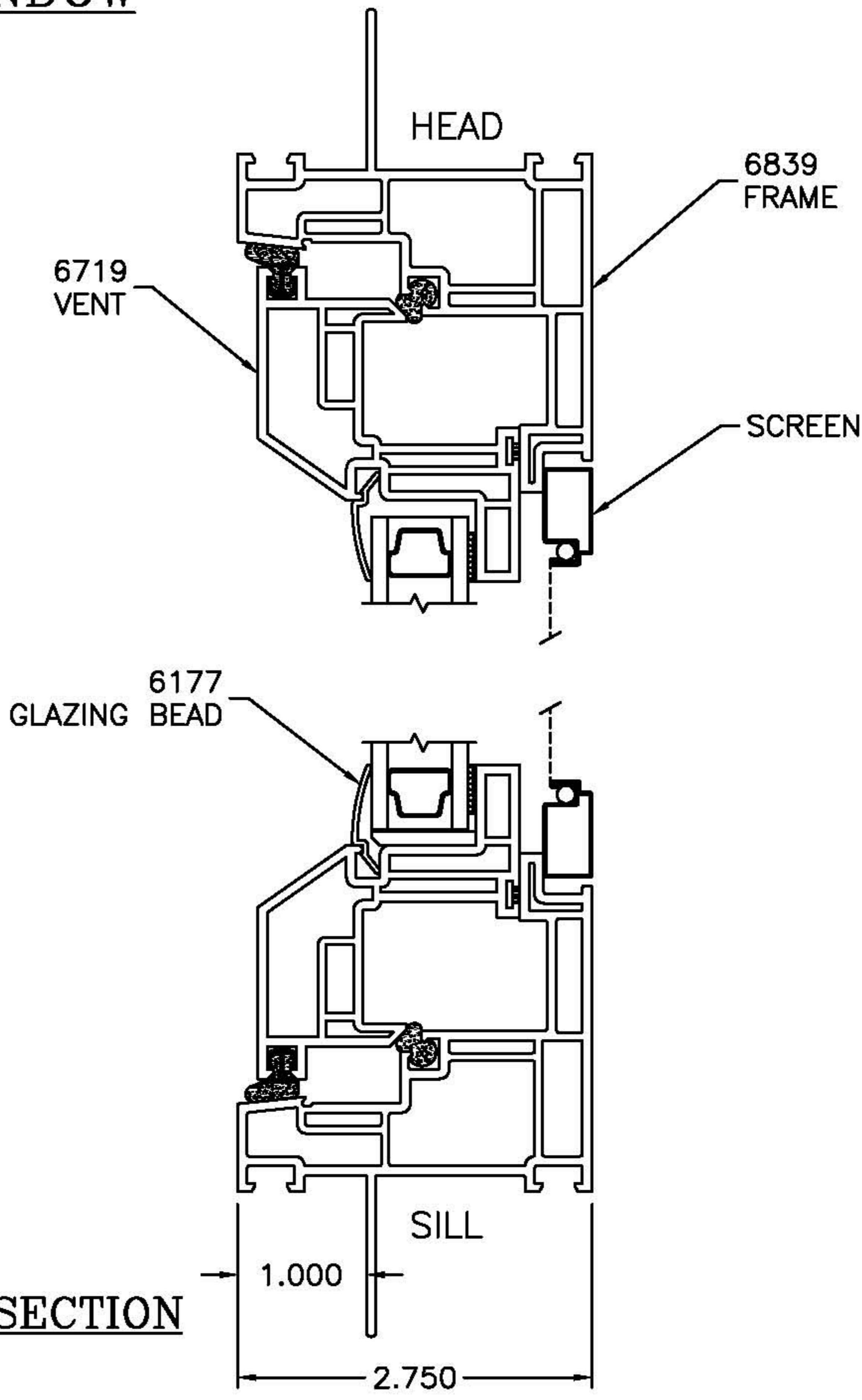


HORIZONTAL SECTION

420 CASEMENT WINDOW

(X)

PAGE 2 OF 2



VERTICAL SECTION