

# WINDOW INSTALLATION GUIDELINES

Thank you  
for purchasing  
Lindsay Windows!

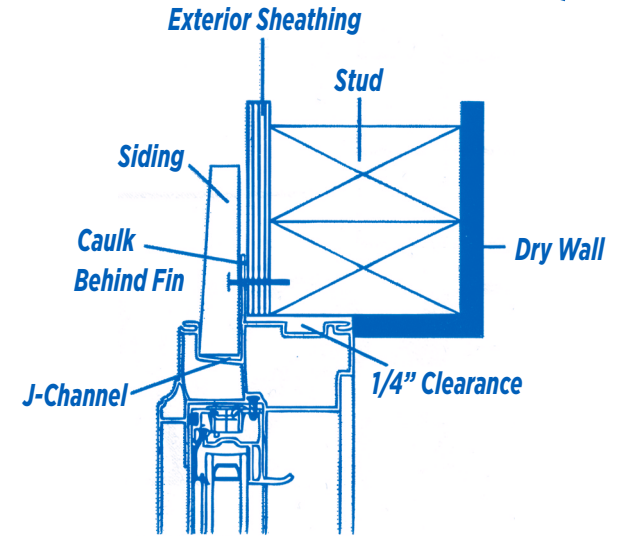
## NEW CONSTRUCTION

- 1) Store windows in an upright position on a flat surface.
- 2) Prepare the opening and check measurements for fit. New window should have minimum 1/4" clearance (both width and height).
- 3) Clean opening, making sure there is no debris that could interfere with fastener penetration.
- 4) Apply appropriate high performance sealant around perimeter in accordance with sealant manufacturer's recommendations.
- 5) Set new window, sill first, into opening and press firmly into sealant.
- 6) Loosely fasten one of the upper corners. level, square and plumb window. Shim where required.
- 7) Fasten nail fin through center of slots so sealant makes full contact with nail fin. Do not penetrate sill.
- 8) Fill space between window frame and opening with insulation, using caution not to cause bowing.
- 9) Inspect window to be certain that sash and frame reveal are consistent and there is no bowing.
- 10) Flash according to local building codes or practices to ensure there will be no water penetration.

## REPLACEMENT

- 1) Measure opening to be sure unit will fit properly. Allow minimum 1/4" clearance (both width and height).
- 2) Remove old window or sashes.
- 3) Remove all nails, pulleys, tracks or other materials. A minimum of 3 1/4" is required for the depth of the window frame. Clean opening thoroughly.
- 4) Position window in opening.
- 5) Plumb, square, and level window in opening so that sashes are square with the main frame.
- 6) Secure window with appropriate fasteners and shims so window frame remains square and plumb. Do not penetrate sill.
- 7) Properly attach any accessories.
- 8) Provide insulation around perimeter of the frame, but do not allow insulation to cause frame to bow.
- 9) Apply appropriate sealants so that air and water will not penetrate past window frame.

**Failure to follow instruction guidelines  
may void warranty claims.**



[www.LindsayWindows.com](http://www.LindsayWindows.com)