

WINDOW INSTALLATION GUIDELINES

Thank you
for purchasing
Lindsay Windows!

NEW CONSTRUCTION

- 1) If window is shrink wrapped, remove wrap before exposing to direct sunlight.
- 2) Store windows in an upright position on a flat surface. Don't put excess weight against windows or bowing could result.
- 3) Prepare the opening and check measurements for fit. New window should have minimum 1/4" clearance (both width and height).
- 4) Clean opening, making sure there is no debris that could interfere with fastener penetration.
- 5) Apply appropriate high performance sealant around perimeter in accordance with sealant manufacturer's recommendations.
- 6) Properly place shims on sill. Set new window, sill first, into opening and press firmly into sealant.
- 7) Fasten both upper corners. Level, square and plumb window. Shim around frame where required. Continue fastening nail fin around all sides.
- 8) Fasten nail fin through center of slots so sealant makes full contact with nail fin. Do not place screws through sills.
- 9) Fill space between window frame and opening with insulation (recommend minimal-expanding foam), using caution not to cause bowing of window frame. Insulation should prevent air and water intrusion.
- 10) Inspect window to be certain that sash and frame reveal are consistent and there is no bowing.
- 11) Flash according to local building codes or practices to ensure there will be no water or air penetration.

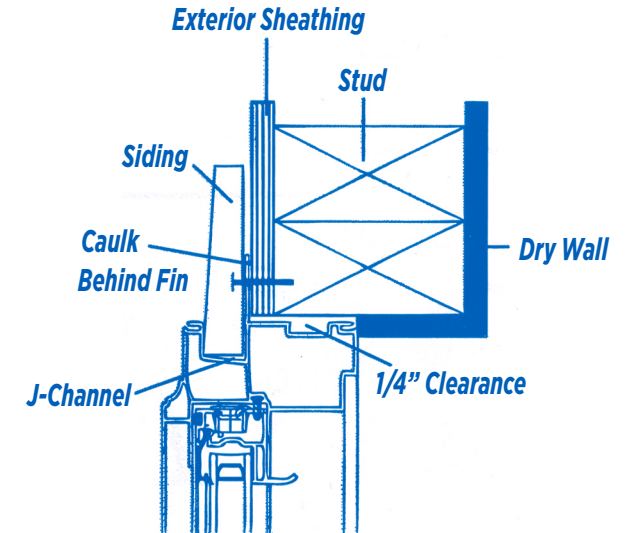
REPLACEMENT

- 1) Measure opening to be sure unit will fit properly. Allow minimum 1/4" clearance (both width and height).
- 2) Remove old window or sashes.
- 3) Remove all nails, pulleys, tracks or other materials so you have a clean opening.
- 4) Place shims on sill and position window in opening.
- 5) Plumb, square, and level window in opening so that sashes are square with the main frame.
- 6) Secure window with appropriate fasteners and shims so window frame remains square and plumb. Do not screw through sill.
- 7) Properly attach any accessories.
- 8) Provide insulation (recommend minimal-expanding foam), around perimeter of the frame, but do not allow insulation to cause frame to bow. Insulation must prevent air and water from entering structure.
- 9) Additional sealants may be necessary depending on the type of exterior trim.

ADDITIONAL
INSTALLATION INFORMATION



Failure to follow instruction
guidelines may void warranty claims.



www.LindsayWindows.com